

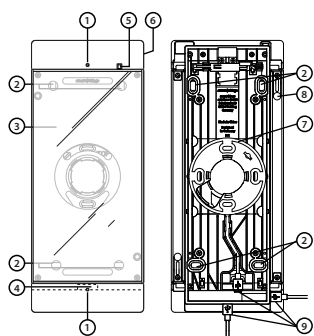
Safety instructions

Congratulations!

You have purchased the smart things **sDock Air** wall mount. We put a lot of effort into the development and have selected only materials of the highest quality. The production of our products is subject to strict quality controls. However, in case you should detect material or manufacturing defects, please contact the retailer where you have purchased the product. We hope that you will thoroughly enjoy our product.

Safety Instructions

Handling the **sDock Air** is very easy. However, we would like to ask you to take a moment to read the mounting and operating instructions carefully to avoid mistakes.



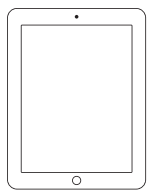
- ① iPad Positioning Guide
- ② Mounting holes
- ③ Transparent screen
- ④ Apple Lightning Connector
- ⑤ Locking for iPhone/iPad mini
- ⑥ sLock
- ⑦ Pivoting base
- ⑧ Button to change pictures
- ⑨ Sockets for charging cables

See bigger drawing in the picture manual.

Correct Use

Please use this product only with these Apple products together with the cables and chargers approved by Apple. The **sDock Air** wall mount was developed for the use in environmental conditions normally found in private homes and office buildings. Please avoid positioning the product in areas with high exposure to sun radiation, extremely warm or cold temperatures, high humidity or moisture.

The **sDock Air** wall mount was developed for the use with Apple products and has been approved for the following products:



iPad
4th generation
16GB 32GB 64GB 128GB



iPad mini
16GB 32GB 64GB



iPhone 5
16GB 32GB 64GB

"Made for iPod," "Made for iPhone," and "Made for iPad" mean that an electronic accessory has been designed to connect specifically to iPod, iPhone, or iPad, respectively, and has been certified by the developer to meet Apple performance standards. Apple is not responsible for the operation of this device or its compliance with safety and regulatory standards. Please note that the use of this accessory with iPod, iPhone, or iPad may affect wireless performance.

Mounting

Make sure that the wall has sufficient bearing capacity for mounting the product. Please note that the wall fixing has to carry a multiple of the wall mount's weight. Depending on the wall materials it could be necessary to use special fixing items (e.g. cavity fixing, etc.). The supplied screws and rawl plugs are suitable for mounting the product on walls made of solid timber, stone, concrete, or timber posts only. Take extra caution not to damage gas or water pipes or electric wiring in the wall!

Attention!

The transparent screen covering the clip-on screen is only held by clamping in the frame. Please be aware, that the transparent screen can fall off if you mount it on slanted surfaces (e.g. slanting ceilings in the attic). Risk of injury!

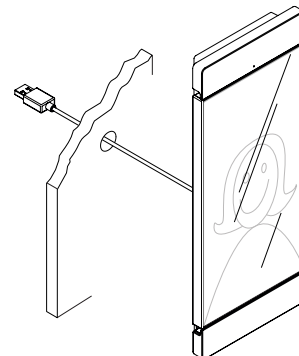


Power supply out of the wall

sDock Air allows a power supply out of the wall. Only a professional electrician is allowed to make such an installation.

Take care that the power supply in any case has enough air supply.

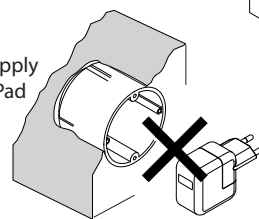
Overheating may cause fire!



Attention!

The Apple power supply delivered with the iPad is not approved for use in a wall box.

Fire danger!

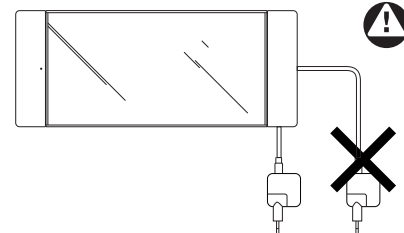


USB micro ports

Attention!

The USB micro ports are not designed as a USB Hub.

Do only connect a single charger!



Maintenance

Clean your **sDock Air** with a micro fiber cloth or a soft, damp cloth. Never use aggressive cleaning substances. Attention! Please detach all cables before you clean it.

Proper Disposal

The product must be disposed of safely in compliance with the legal requirements or recycled in accordance with the criteria set out in community legislation.