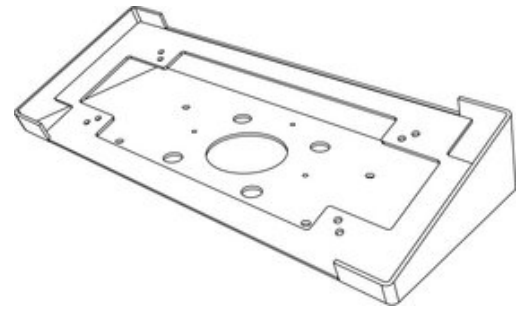


sWedge 20°

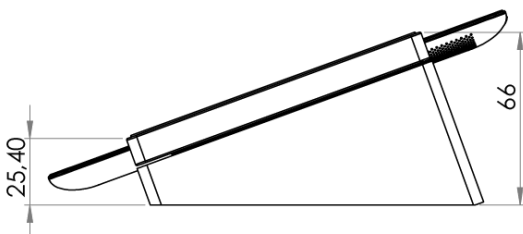
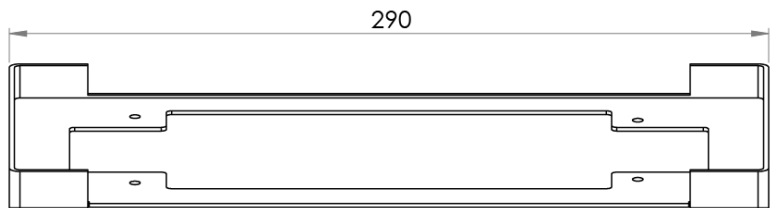
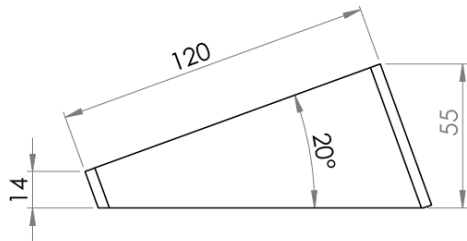
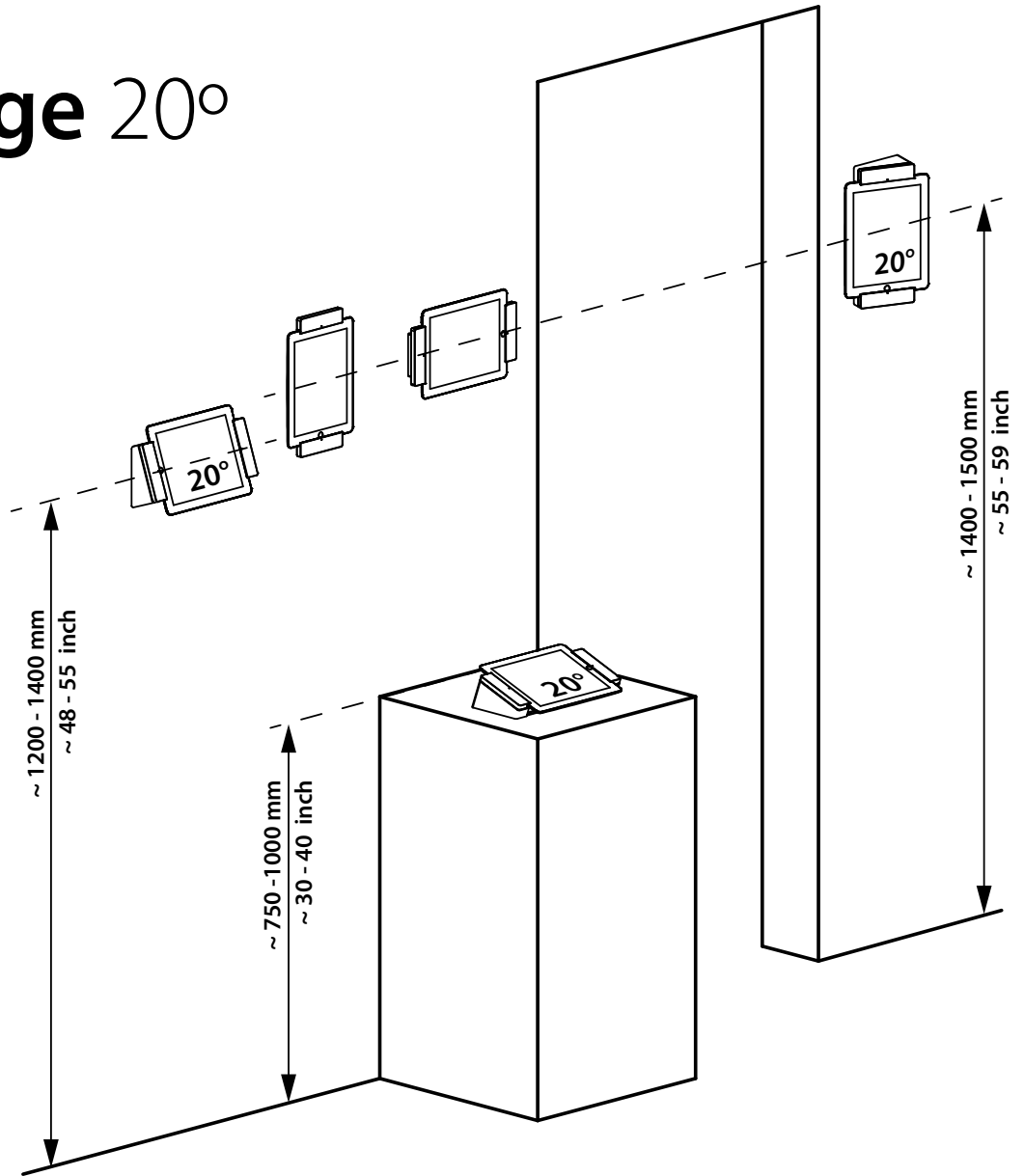
s 07



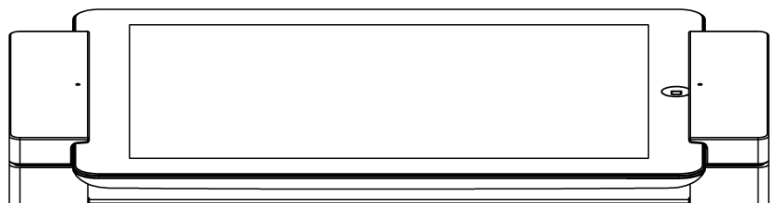
Product name	sWedge 20°
Short name	s07
EAN / UPC	4260258610079
Manuf. part no.	sWedge 20° w
Description	Slanted wall adapter to mount the sDock in a 20 degree angle horizontally or vertically at the wall or on a desk or counter.
Market Entry	April 2014
Compatible	sDock pro, sDock pro2, sDock Air
Contains	<ul style="list-style-type: none">• sWedge• screws to fix the sDock with the sWedge
Materials/ Environment	Bended sheet metal, laquered in white (RAL 9003, signalweiß) . RoHS not applicable. WEEE not applicable.
Dimensions	290 x 120 x 63 mm (HxWxD),
Weight	1100g (only sWedge), 1200g incl. packaging
Packaging	sWedge Box: 390 x 136 x 35 mm, 0,9 kg Packaging made of cardboard.
Customs tariff no.	8302 5000
Country of origin	Germany

sWedge 20°

s 07



sWedge shown with sDock and iPad 4



s07

Drawing

sWedge 20

