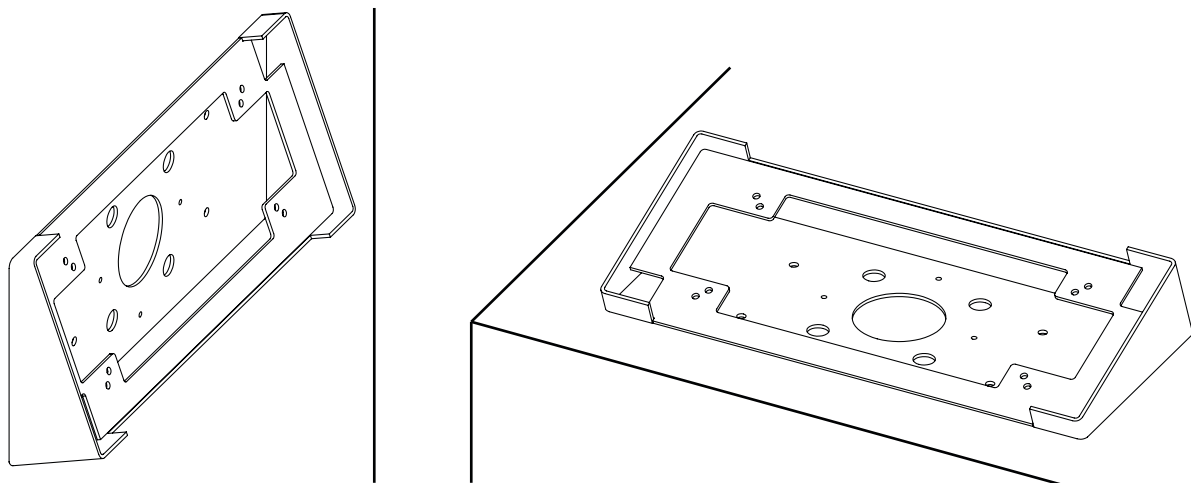


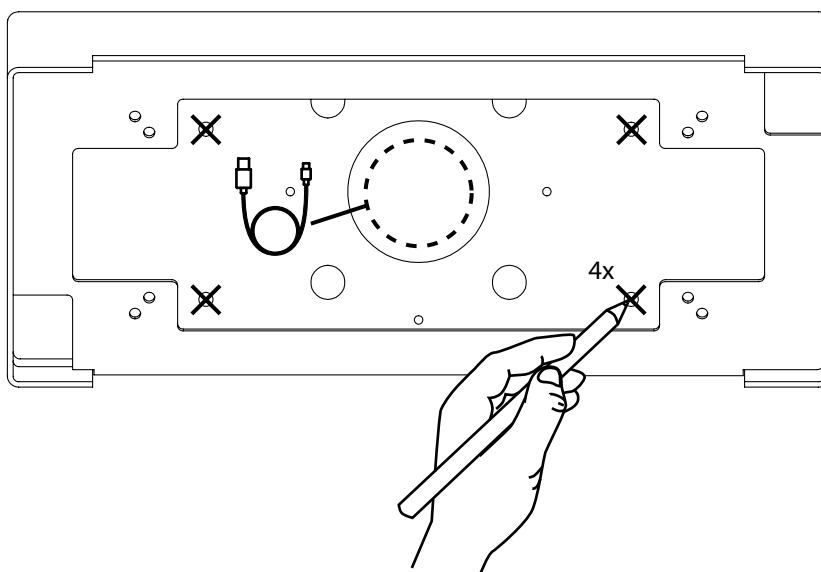
# sWedge 20



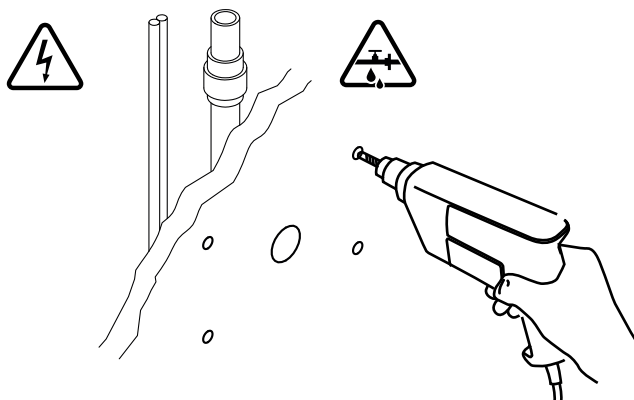
1. Place your Triangle on a wall or desk.



2. Mark holes for mounting and inwall charging cable.

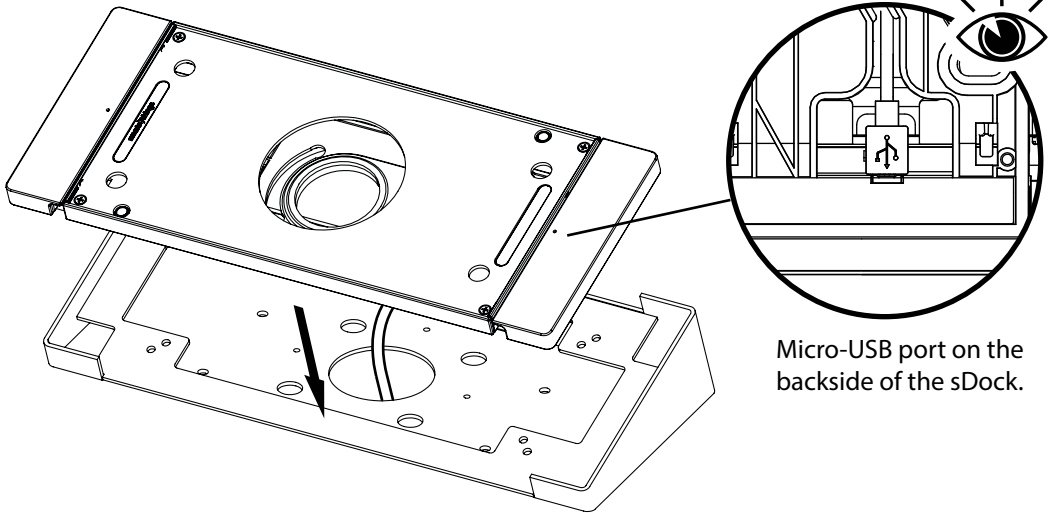


3. Be careful with inwall electric cables and water pipes before drilling!

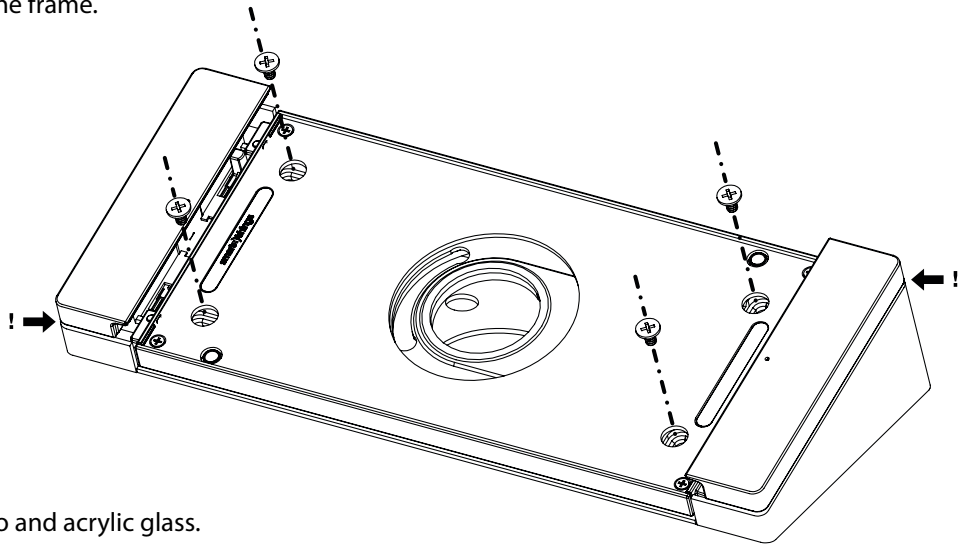


4. Screw the **Triangle** on your wall or desk.

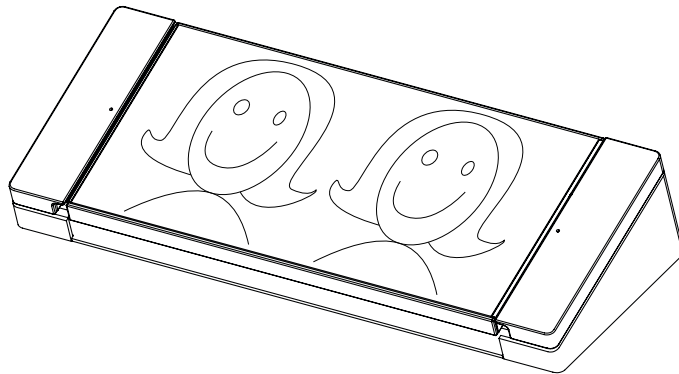
5. After removing acrylic glass and photo from the sDock, connect it with the Micro-USB charging cable and place it over **Triangle**.



6. Use included screws to fasten the sDock on your **Triangle** by pressing down the frame.



7. Insert your photo and acrylic glass.



8. Ready! ✓